

BLANCO LINUS-S Vario

Item No. BM3147CH

metallic surface

High Pressure

**BLANCO**

- Pros



○



○



○

Practical in form and function

- Minimalist design
  - Extendable spray head
  - High quality metal spray
  - High spout for easy filling of large pans and vases
  - Two jet types - spray function with de-scaling nozzles
  - Changing function on the bottom side of the spray
- Colours



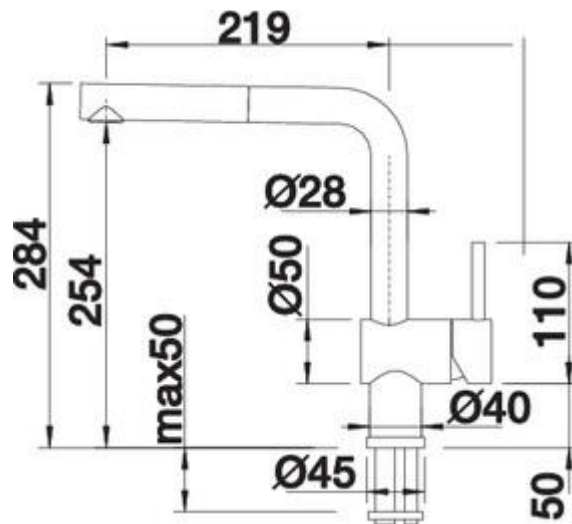
metallic surface

Item No. BM3147CH

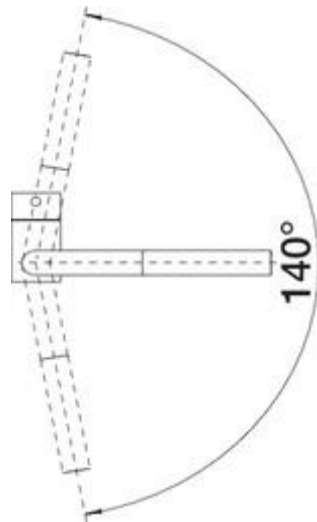
High Pressure

Available colours

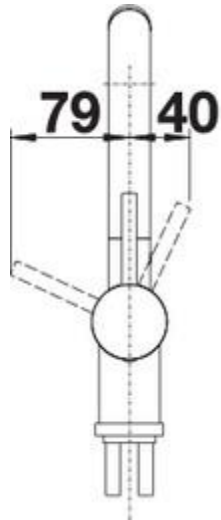
- [chrome](#)
- Details



Side View



Swivelling



#### Scope of supply

- Single-lever mixer tap
- Spout can be swivelled by 140°
- Ø 35 mm tap hole required
- With ceramic disk cartridge
- Metal-sheathed spray hose
- Flexible connector pipes, 450 mm long and 3/8" nut for particularly easy installation
- Patented jet regulator for markedly reduced scaling
- Stabilisation plate to increase the stability of the tap when fitted in stainless steel sinks
- With non-return valve and thus guaranteed against reflux in accordance with EN 1717
- Planned for LGA certificate
- Planned for DVGW certificate

BLANCO SUBLINE 700-U

Item No.

**BLANCO**

- Pros



The designer line for under mount installation in SILGRANIT® PuraDur® II

- Maximum bowl size provided by the very best in production and mounting technology
  - Mounting involves no additional expense
  - Under mount bowl for discerning demands on design
  - Timelessly elegant, contoured bowl design
  - Entire system for a wide variety of plans featuring large and small bowls
  - Elegant and hygienic: the covered C-overflow®
  - Optional accessories
- Colours

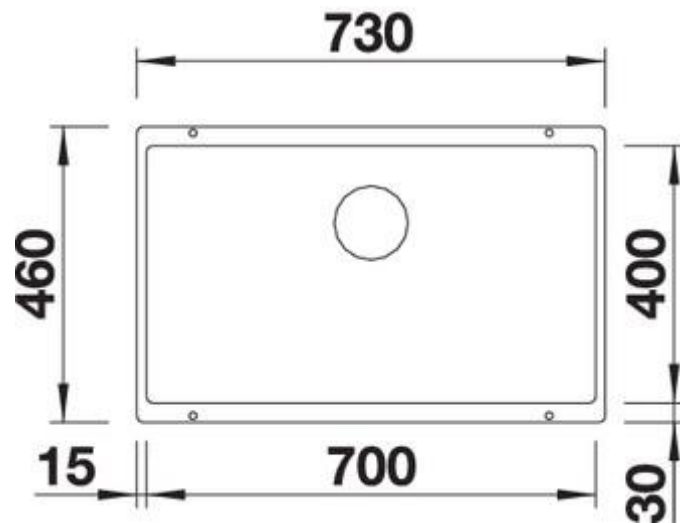


SILGRANIT® PuraDur®

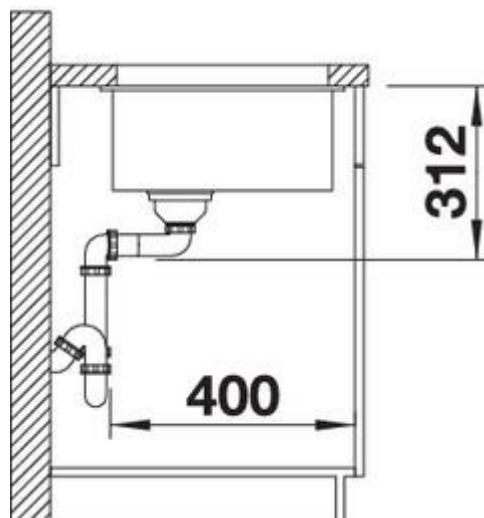
Item No.

Available colours

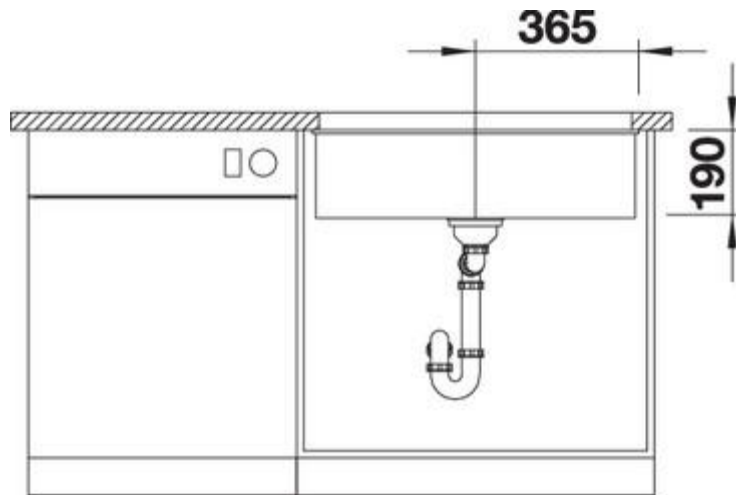
- [white](#)
  - [tartufo](#)
  - [rock grey](#)
  - [pearl grey](#)
  - [nutmeg](#)
  - [jasmine](#)
  - [coffee](#)
  - [champagne](#)
  - [anthracite](#)
  - [alu metallic](#)
- Details



Top View



Side View



#### Front View

- Scope of supply
- 3 1/2" basket strainer, fixing kit 218 268 included (sealing not included)
- Design tips
- Cabinet Width: 80 cm  
Bowl depth: 190 mm  
Corner radius: 10mm  
Cut out size: 700 x 400 x R10  
Cut out information supplied with bowls.  
Cut out CNC files also available on [www.blanco.co.uk](http://www.blanco.co.uk) for download.



WCI320 PWash 2.0 XL

**W1 Front-loading washing machine**  
with PowerWash 2.0 and large honeycomb drum – best results  
in no time.

- You can't clean faster than this – [QuickPowerWash](#)
- Perfect supplement for specific applications – [CapDosing](#)
- Wash your favourite item quickly and efficiently – [SingleWash](#)
- Gentle laundry care thanks to the [Miele honeycomb drum](#)
- Ironing made easy thanks to [pre-ironing](#)

[More product information](#)



Product details - WCI320 PWash 2.0 XL

## Construction type

Suitable for stacking	<a href="#">•</a>
Side-by-side	<a href="#">•</a>
Slot-in	<a href="#">•</a>
Can be built-under	<a href="#">•</a>
Door hinge	right

## Model

Product brand	W1 Chrome Edition
Front-loader	•

## Spinning

Max. spin speed	1,600
Rinse hold	•
"Without spin" function	•

## Design

Appliance colour	Lotus white
Control panel colour	Lotus white
Rotary selector colour	Lotus White / Chrome ring
Control panel version	Straight
Control type	Rotary selector
Display	DirectSensor white, 1 line

## Cleaning performance

PowerWash 2.0	<a href="#">•</a>
CapDosing	<a href="#">•</a>
Stains option	<a href="#">•</a>

## Gentle laundry care

Honeycomb drum	•
Load in kg	9.0

## User convenience

Delay start up to 24 hours	•
Time left display	•
Programme sequence indicator	•
MultiLingua	•
AutoClean detergent drawer	•

## Efficiency and sustainability

Energy efficiency class (A+++ - D)	A+++
More economical than the threshold value for energy efficiency rating A+++	40%
Annual energy consumption in kWh	130
Annual water consumption in l	11,000
Spin performance class	A
Sound power during washing in dB(A) re 1 pW	46
Sound power during spinning in db(A) re 1 pW	72
Water consumption in litres in the Cottons 60° standard programme with a full load	54
Energy consumption in kWh in the Cottons 60° standard programme with a full load	1
EcoFeedback function	•
Automatic load control	•
Low temperature wash "Cold" and "20 °C"	•
Flow meter	•
Foam sensing	•

ProfiEco motor



#### Wash programmes

QuickPowerWash



Automatic plus



Cottons (coloureds)



Minimum iron



Delicates



Shirts



Silk (hand-washable)



Woollens (hand-washable)



Express 20



Dark garments / Denim



Outerwear



Proofing



Sportswear



Down duvets



Pillows



Down



Curtains



Clean machine



First wash



Separate rinse/Starch



Drain / Spin



#### Drying programmes

Pillows



#### Wash options

SingleWash	•
Short	•
Soak	•
Pre-wash	•
Water plus	•
Additional rinse cycle	•
Extra quiet	•
Pre-ironing	•
Buzzer	•

#### Quality

Suds container	Stainless Steel
Enamelled front	<a href="#">•</a>
Counterweights made of cast iron	•

#### Safety

Water control system	•
Safety lock	•
PIN code lock	•
Optical interface	•

#### Technical data

Dimensions in mm (width)	596
Dimensions in mm (height)	850
Dimensions in mm (depth)	636
Appliance depth in mm with opened door	1,054.0
Weight in kg	94.00
Total rated load in kW	2,10-2,40
Voltage in V	220-240

Fuse rating in A	13
------------------	----

---

Length of supply lead in m	2
----------------------------	---

---

Standard accessories

3 Caps	•
--------	---

# Miele TKG 840 Freestanding Heat Pump Tumble Dryer, 8kg Load, A+++ Energy Rating, White

Product code: 88942929

- [Miele TKG 840 Freestanding Heat Pump Tumble Dryer, 8kg Load, A+++](#)

- [Rated A+++ for energy](#)



Miele's TKG 840 freestanding tumble dryer makes drying clothes a lot easier and quicker with a large-capacity 8kg drum. And with an improved **A+++** energy rating, you can be sure your machine is more economical and environmentally friendly for your home.

## **ProfiEco motor**

Using a ProfiEco engine, this model ensures a powerful performance so clothes dry quickly in an environmentally friendly and economic way.

## **PerfectDry**

This special function measures the residual moisture in the load and conductivity level of the water to detect when the laundry is perfectly dry - this way your items will never come out over-dried or damp.

## **FragranceDos**

Enables you to add a flacon (fragrant capsule) to your machine to fragrance your laundry during the drying cycle - this will last up to 4 weeks on your clothing, towels and bed sheets.

## **SteamFinish**

The fibres in your clothes are gently stretched and smoothed to reduce creasing by spraying water into the rotating drum before combining it with hot air - just think how much time you'll save on ironing. You can also use this function to freshen up clothes that have barely been worn and don't require a full wash.

## **EcoFeedback**

If you're trying to be more economical and environmentally friendly, this high-tech function provides you with a consumption forecast and full summary at the end of each cycle.

## **Programmes**

To make drying your clothes simple, this machine comes equipped with 19 programmes to choose from, including Woollens Handcare, Sportswear, Denim, Outerwear, Proofing and Express, so you can effortlessly choose the most appropriate settings to get perfect results.

## 24-hour delay start

With this convenient function you can be in full control of the laundry process, choosing a start time best suited to you. This way you can also take advantage of off-peak energy costs, setting your dryer to come on during the night. An **express programme** dries your clothes quickly and efficiently, while the handy LED drum lighting makes loading a lot easier.

